

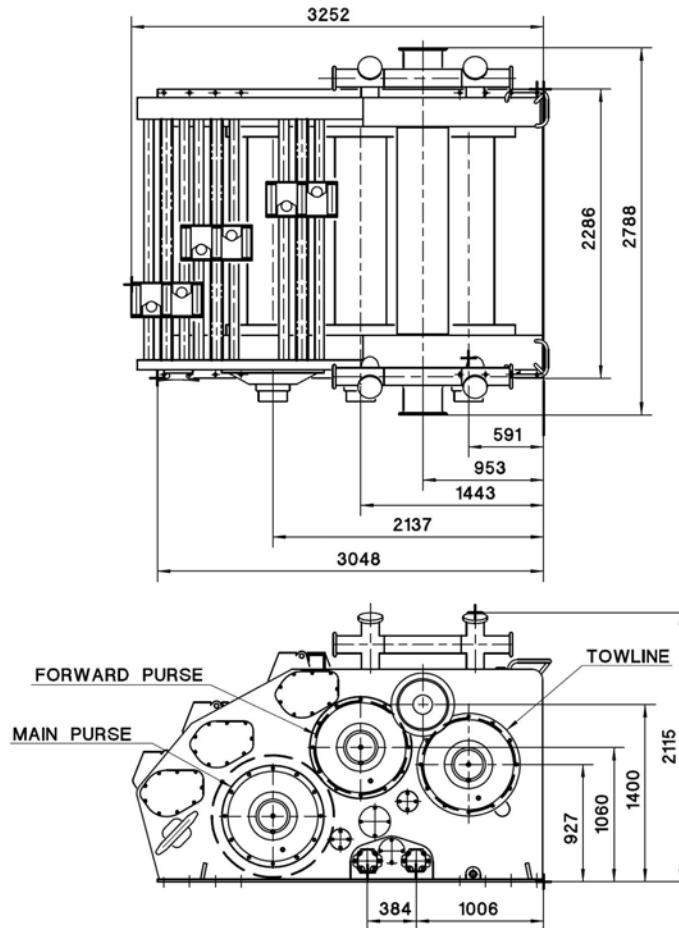
## W-1060 PURSE SEINE WINCH



### SUPER-SEINER 300 HP PURSE WINCH.

- For up to 500 ton tuna Purse Seine vessels.
- Fast and strong: 2 vane motors provide up to 20 metric ton ring lift capacity.
- Each drum has independently controlled clutches and brakes.
- SST diamond screw levelwinds provides continuous automatic levelwinding of all three cable drums.
- An interconnected gear train between all three dives allows the total winch torque to be divided as needed between the cable drum, resulting increased pulling speed with available power.
- Includes two case hardened steel gypsies and fair lead rollers for wire rope.

## W-1060 PURSE SEINE WINCH



<b>STANDARD FLOW</b> @175 BAR (2500 PSI)	600 l/min (160 GPM)		<b>APROX WEIGHT</b> 9.700 kg
<b>PULL (Empty drum)</b>	SERIES	PARAL	<b>CABLE CAPACITY</b>
<b>Fwd (kg)</b>	15.500	31.000	1000 m (ø19)
<b>Main (kg)</b>			2200 m (ø19)
<b>Tow (kg)</b>			1000 m (ø19)
<b>SPEED (rpm)</b>	SERIES	PARAL	<b>DRUM DIM. (mm)</b>
<b>Fwd</b>	36	18	406 x 736 x 1486
<b>Main</b>			406 x 965 x 1486
<b>Tow</b>			457 x 736 x 1486